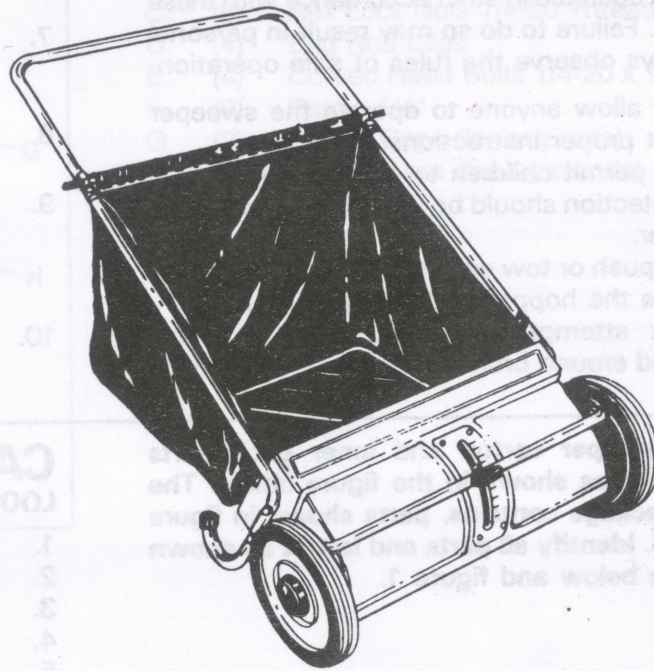


# OWNERS MANUAL

Model No.  
45-0218



## 26" LEAF/LAWNSWEEP

**CAUTION:**  
Read Rules for  
Safe Operation  
and Instructions  
Carefully

- Assembly
- Operation
- Maintenance
- Repair Parts

## RULES FOR SAFE OPERATION

The following safety precautions are suggested. This lawn sweeper is designed, engineered and tested to offer reasonably safe and effective service, provided it is operated in strict accordance with these instructions. Failure to do so may result in personal injury. Always observe the rules of safe operation.

1. Do not allow anyone to operate the sweeper without proper instructions.
2. Do not permit children to operate sweeper.
3. Eye protection should be worn when operating sweeper.
4. Do not push or tow sweeper too close to a fire, because the hopper and brush will burn.
5. Do not attempt to remove wire or string wrapped around brush while brush is rotating.
6. Operate sweeper at reduced speed on rough terrain, in ditches, and on hillsides to prevent tipping and loss of control. Stay alert for holes or other hidden hazards.
7. This sweeper is not meant for street or highway use. Watch for traffic when sweeping near roadways.
8. Keep all nuts, bolts and screws tight to be sure equipment is in safe working condition.
9. Sweeper should be stopped and inspected for damage after striking a foreign object and damage should be repaired before operating the equipment.
10. Follow maintenance instructions as outlined in this manual.

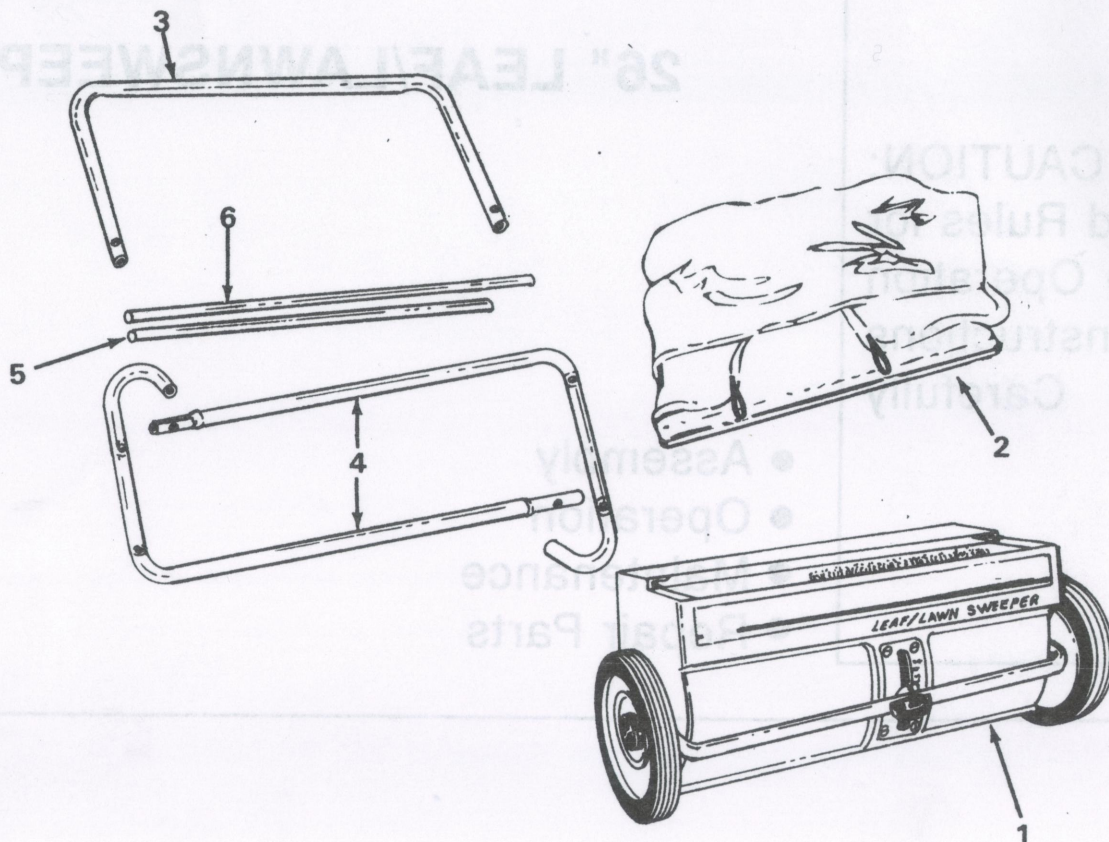
Your lawnsweeper carton and inner pack parts contains parts as shown in the figure below. The hardware package contains, parts shown in figure 1 on page 3. Identify all parts and layout as shown in the figure below and figure 1.

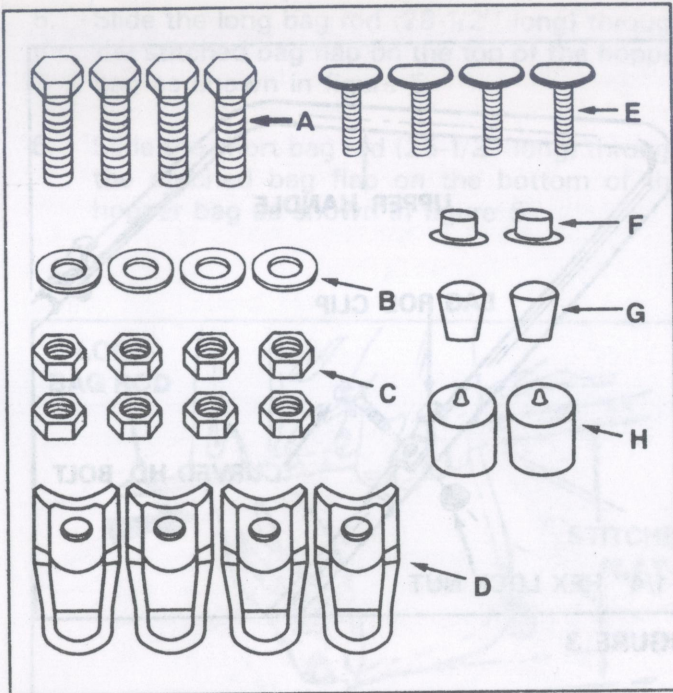
## CARTON CONTENTS

### LOOSE PARTS IN CARTONS

1. Sweeper Housing Assembly
2. Hopper Bag
3. Upper Handle
4. Lower Handle Leg Stand (2)
5. Short Bag Rod
6. Long Bag Rod
7. Parts Package (Not Shown)

### LOOSE PARTS IN CARTON:

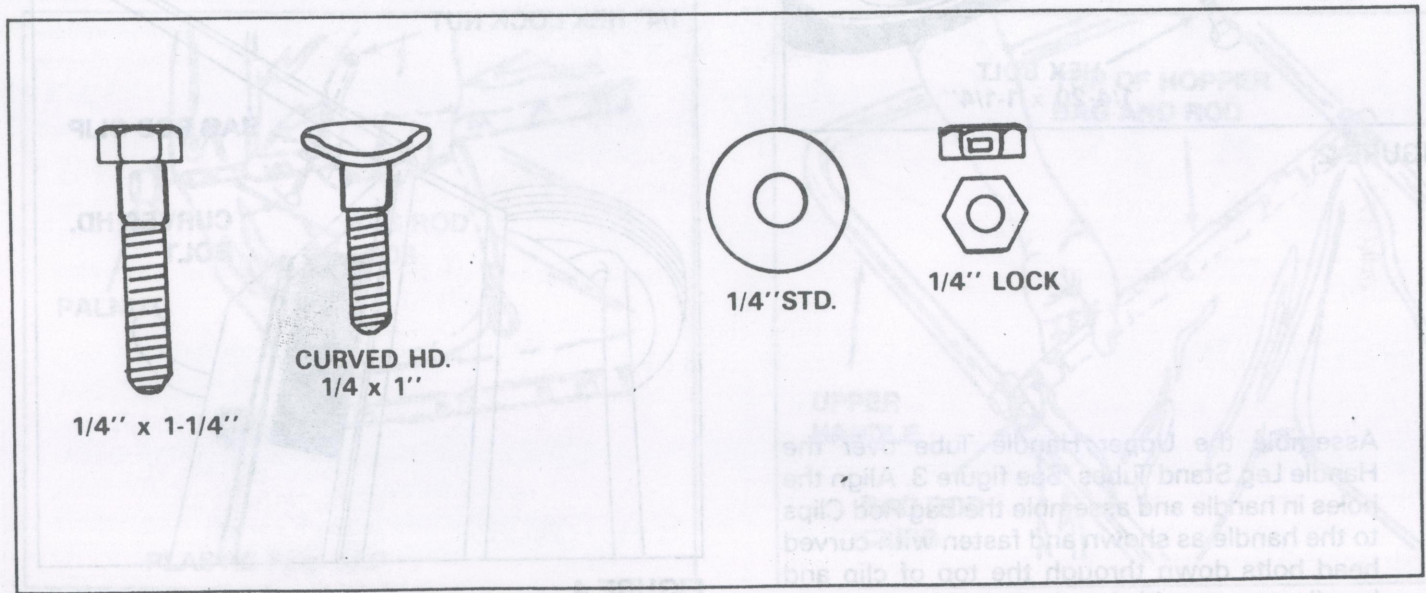




**CONTENTS OF HARDWARE PACKAGE  
(FIGURE 1)**

- A. (4) Hex Bolts 1/4-20 x 1-1/4" Long
- B. (4) Flat Washers 1/4" I.D.
- C. (8) Hex Lock Nuts 1/4-20 Thread
- D. (4) Bag Rod Clips
- E. (4) Curved Head Bolts 1/4-20 x 1" Long
- F. (2) Palmnut 1/4"
- G. (2) Plastic Caps (for bag rods)
- H. (2) Plastic Caps (for leg stands)

**FIGURE 1**



**FULL SIZE HARDWARE REFERENCE CHART**

## ASSEMBLY INSTRUCTIONS

### TOOL REQUIRED

- (1) Phillips Screwdriver
- (1) Adjustable Wrench
- (1) 7/16" Open End or Box Wrench

REFER TO CARTON CONTENTS FIGURE 1 ON PAGE 3 FOR HARDWARE NEEDED TO ASSEMBLE SWEEPER.

1. Assemble the two Handle Leg Stand Tubes to the Sweeper Housing, using two hex bolts 1/4-20 x 1-1/4" long, flat washers and 1/4-20 hex lock nuts, per handle. See figure 2. Only hand tighten at this time.

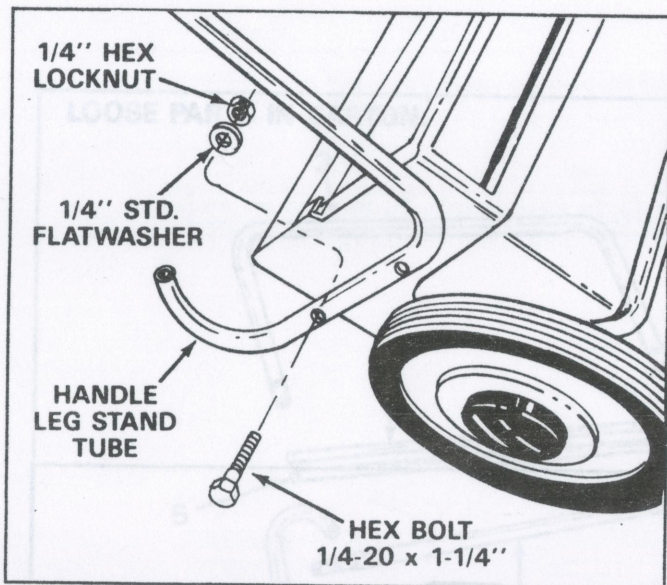


FIGURE 2

2. Assemble the Upper Handle Tube over the Handle Leg Stand Tubes. See figure 3. Align the holes in handle and assemble the Bag Rod Clips to the handle as shown and fasten with curved head bolts down through the top of clip and handle secure with hex lock nuts.

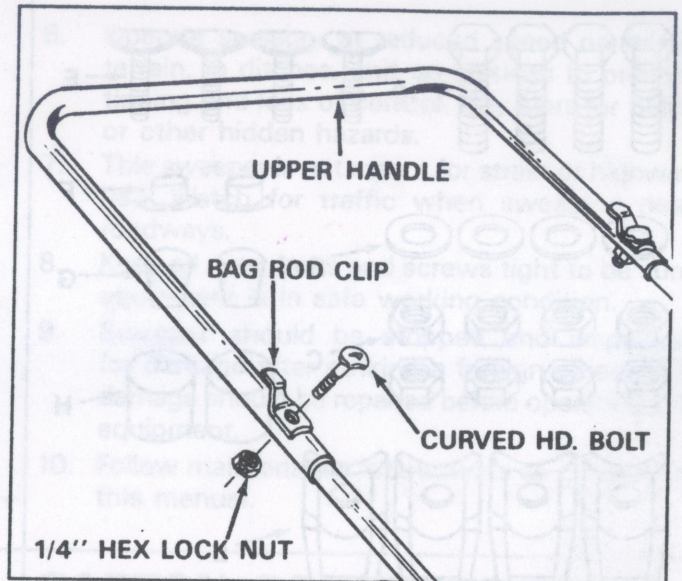


FIGURE 3

3. Now tighten the four bolts from step 1.
4. Assemble a bag rod clip to the inside of each lower handle tube using a curved head bolt secured down against the clip using a 1/4" lock nut. The open end of the clips should face towards the sweeper housing. See figure 4.

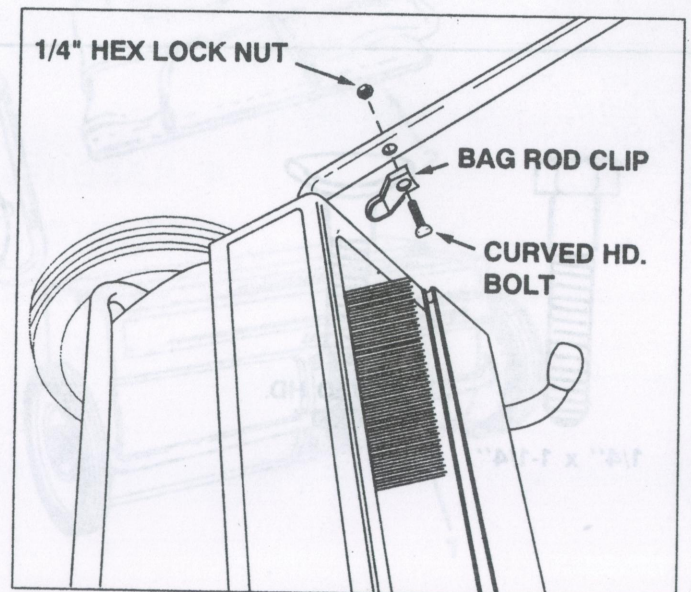


FIGURE 4

- Slide the long bag rod (28-1/2" long) through the stitched bag flap on the top of the hopper bag as shown in figure 5.
- Slide the short bag rod (25-1/2" long) through the stitched bag flap on the bottom of the hopper bag as shown in figure 5.

- Assemble the two plastic caps (3/4" x 7/8" long) on the end of the leg stands as shown in figure 7

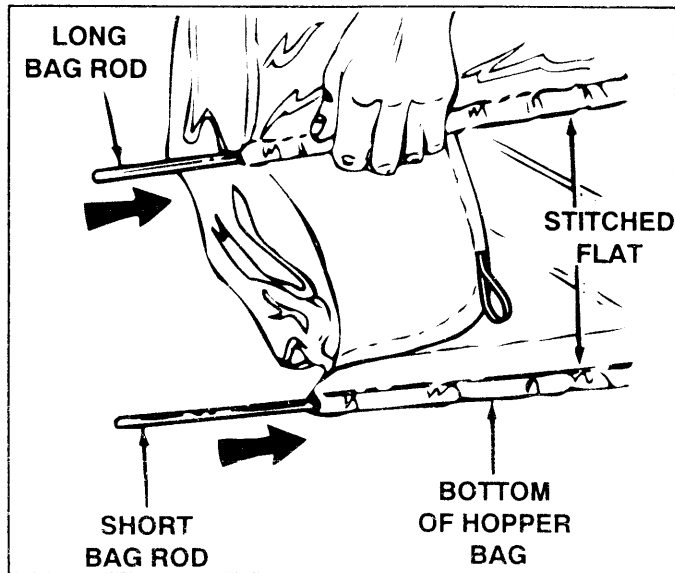


FIGURE 5

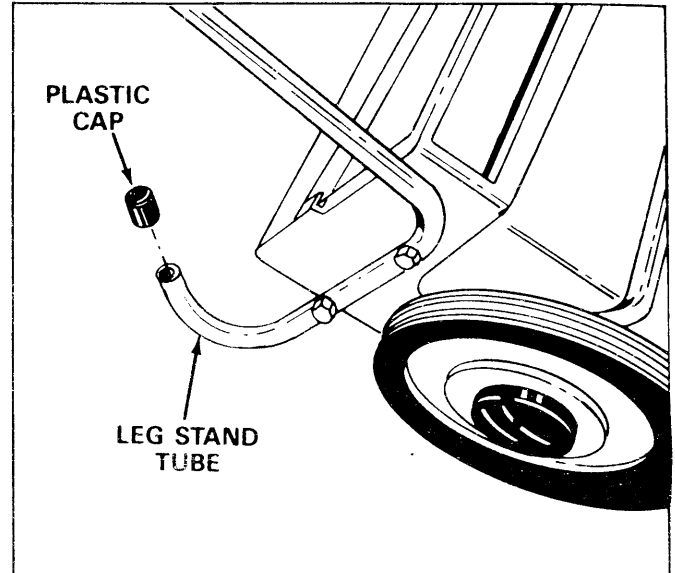


FIGURE 7

- Assemble the two plastic rod caps to the rod ends of the bottom bag rod. And two Palnuts to the ends of the top bag rod. See figure 6.

- Place the upper hopper bag and bag rod into the bag rod clips on the hopper handle. See figure 8.

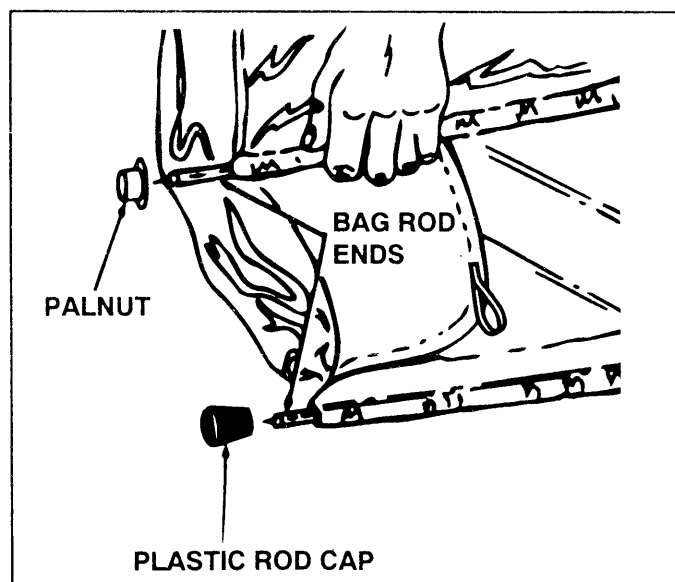


FIGURE 6

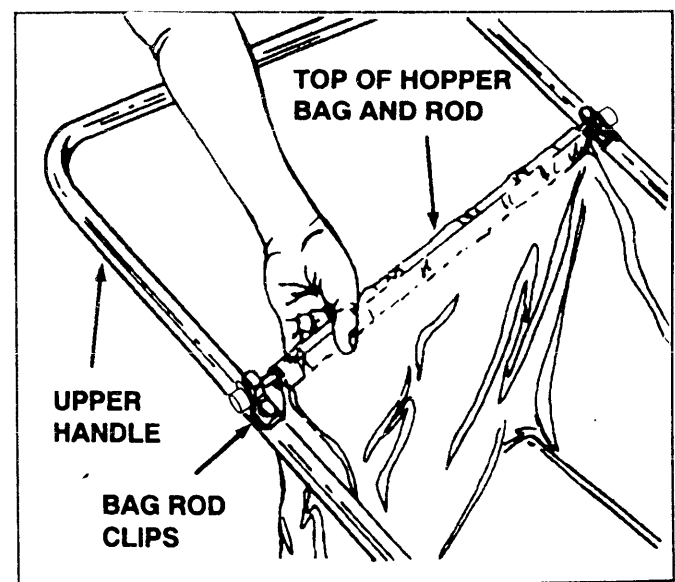


FIGURE 8

10. Place the lower hopper bag and bag rod into the opening on the sweeper housing. See figure 9.

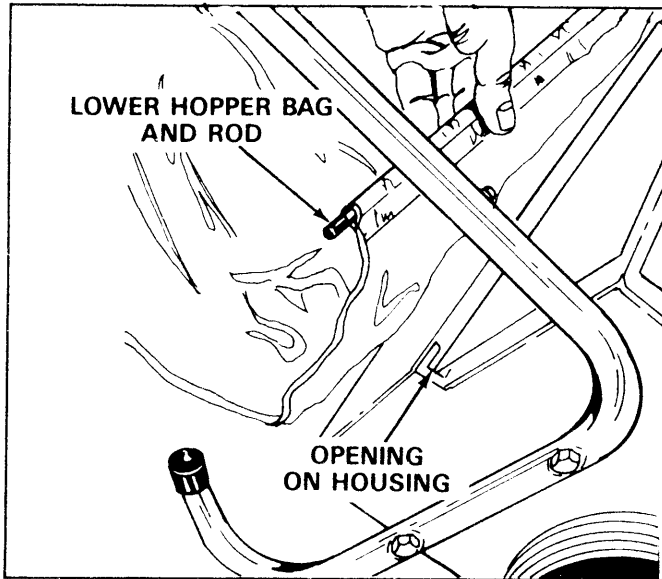


FIGURE 9

11. Hook the elastic straps on the bag flaps under the bag rod clips on the lower handle tubes as shown in figure 10.

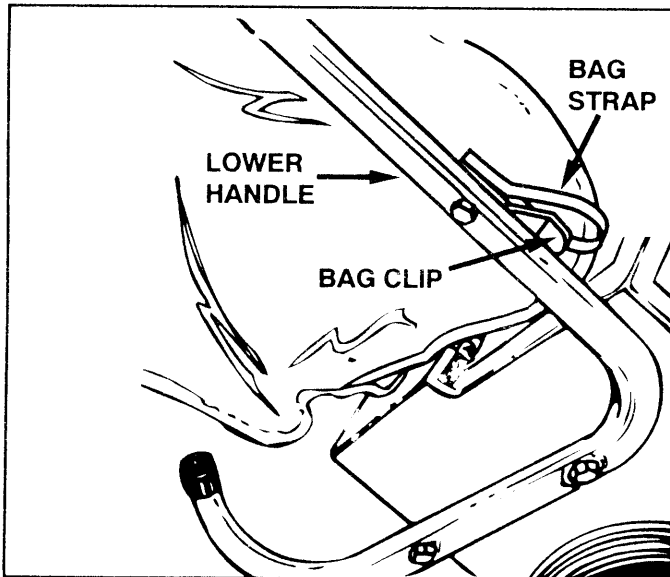


FIGURE 10

## OPERATION

Your sweeper is a precision piece of equipment. Engineering skill and experience have been combined to provide reasonable safety and efficiency. However, as with any type of precision equipment, carelessness or error on the part of the operator can result in damage to your equipment. Therefore, exercise care at all times and do not subject your sweeper to misuse.

## BRUSH HEIGHT ADJUSTMENT

To adjust your sweeper brushes to the best operating height, loosen the hand knob and slide the height adjustment tube down to raise, or up to lower the brushes. See figure 11. BEST ADJUSTMENT IS WHEN BRUSH SETTING IS 1/2" DOWN INTO THE GRASS. ALWAYS MOW THE GRASS TO AN EVEN HEIGHT BEFORE SWEEPING.

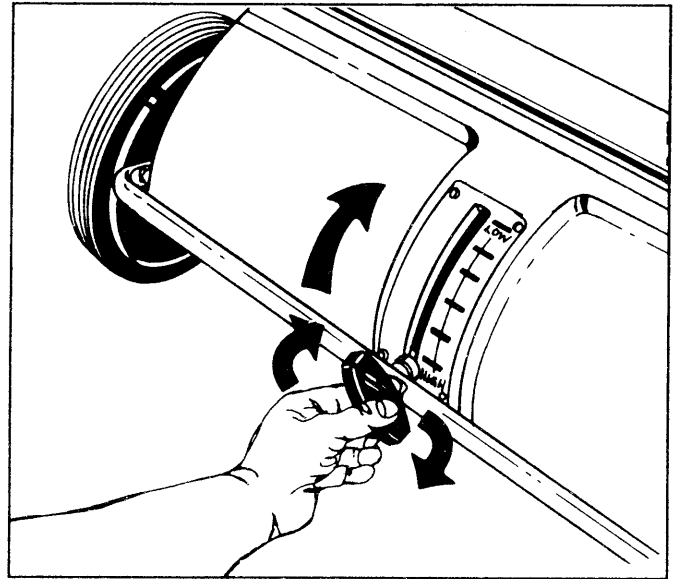


FIGURE 11



### CAUTION

Eye protection should be worn when operating sweeper.

## DUMPING OF SWEEPER

To dump sweeper hopper bag, simply tip the sweeper forward or lift off the complete hopper bag frame.

Always dump hopper after each use. Damp or wet grass and leaves will cause damage to hopper if stored for a long period of time.



### CAUTION

Do Not dump the sweeper too close to a fire as the brushes and bag can be destroyed by excessive heat or flame.

## STORAGE

The entire unit may be hung on a wall or the hopper bag frame can be removed for storage.

## LUBRICATION/MAINTENANCE

The bearings in the sweeper have been prelubricated at the factory; however it is recommended that a few drops of light oil should be added to the brush shaft bearings twice a year. Also, the wheels should be removed to clean gears every two years. After cleaning apply an even coat of light grease. See figures 12, 13 and 14.



To remove the wheel just pop off hub cap with a screwdriver and remove retaining ("E") ring and flat washer. See figure 12.

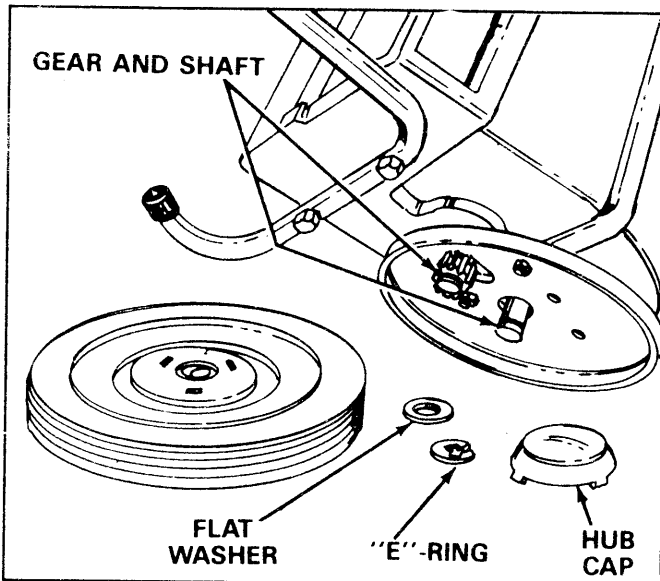


FIGURE 12

## WHEEL GEARS/PAWL SERVICE

1. To service wheel gears, Do Not Remove both wheels at the same time. Remove one wheel at a time to prevent use of left hand parts on right hand side. When removing gears make notes on position of all washers and retaining rings.
2. The pawl, inside ratchet gear, has a curved end (side) and a flat end (side). See figure 13. When re-assembling ratchet gear and pawl, fill the inside with grease. Re-assemble the wheel and turn wheel, if the brushes drive (rotate) in both directions, the pawl is assembled **incorrectly**, remove and flip pawl over. If the brushes drive (rotate) in one direction the pawl is assembled correctly.

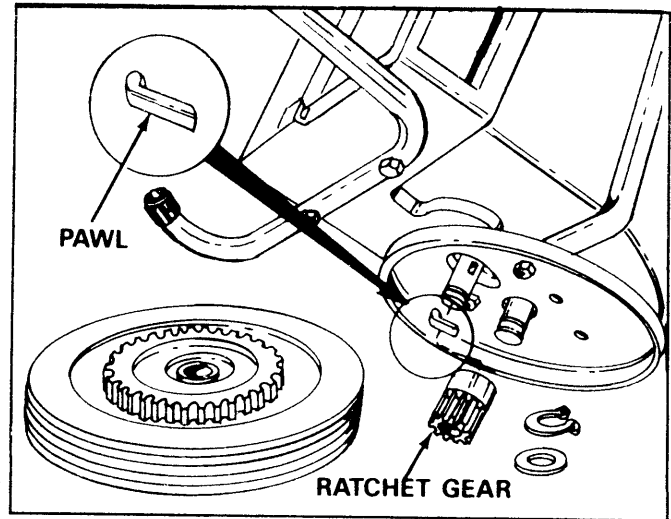


FIGURE 13

## BRUSH REPLACEMENT

1. Remove the hopper bag from lawnsweeper.
2. Brush replacement should be done one brush at a time.
3. Tip the sweeper forward on housing for ease of brush replacment. **Do not remove hex bolts from double brush retainers through brush shaft.**
4. Loosen hex bolts and hex lock nuts from single brush retainers. See figure 14. **Slide brush out of retainers, making note of over-lap bristles position.**
5. **Install new brush, making sure over-lap bristles are positioned the same as before and as shown in figure 14.** (end view of brush).

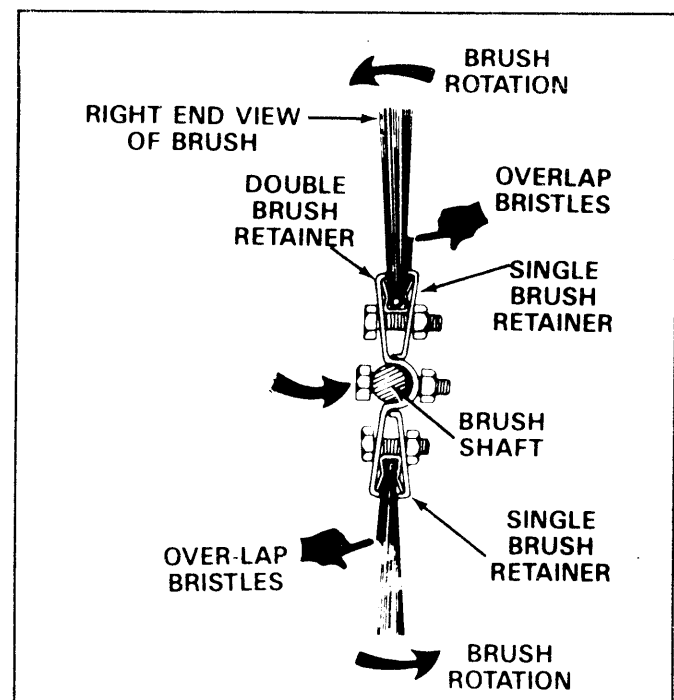
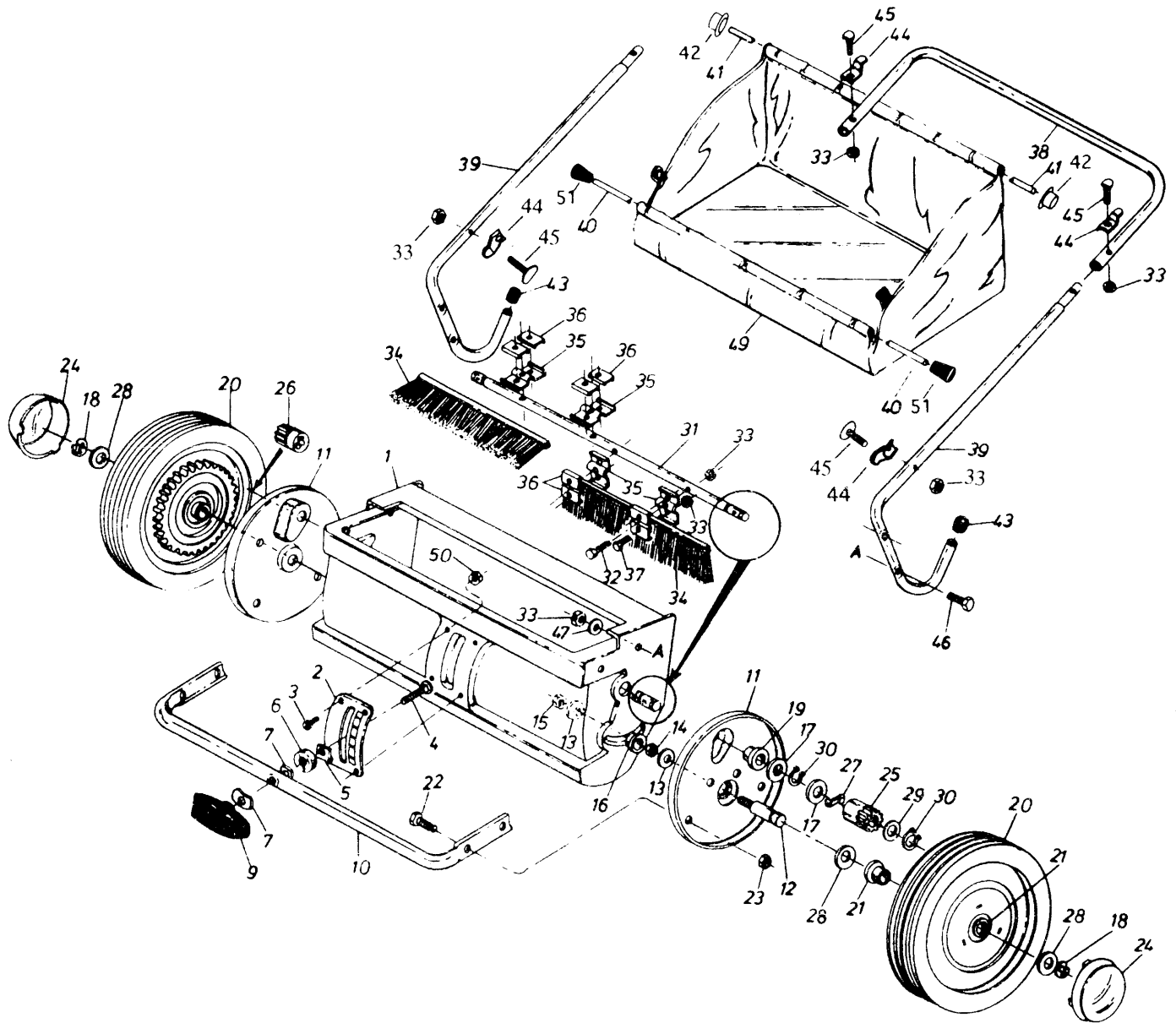


FIGURE 14

REPAIR PARTS FOR MODEL 45-0218 — 26" (PUSH) LAWN SWEEPER





REPAIR PARTS FOR MODEL 45-0218 26" (PUSH) LAWSWEEP

REF. NO.	PART NO.	QTY.	DESCRIPTION	REF. NO.	PART NO.	QTY.	DESCRIPTION
1	44600	1	Housing, 26	29	44006	2	Washer, Flat .596 x .859 x .025*
2	23784	1	Height Adj. Plate	30	1650-21	4	Ring, Retaining .594 I.D.
3	44286	4	Bolt, Hex Hd. 10-32 x 5/8" Lg.*	31	23782	1	Shaft, Brush
4	43681	1	Bolt, Carr., 5/16 - 18 x 1-1/2" Lg.*	32	43661	4	Bolt, Hex HD. 1/4-20 x 1" Lg.*
5	44680	1	Washer, Sq. Nylon	33	43013	20	Nut, Hex Lock 1/4-20 Thd.*
6	1543-69	1	Washer, Nylon 21/64	34	44681	4	Brush 13-1/4"
7	44695	1	Washer, Bowed	35	23580	4	Retainer, Brush Double Bracket
8	R19111116	1	Washer, 11/32 x 11/16	36	23581	8	Retainer, Brush Single Clip
9	43720	1	Knob-Wing 5/16-18	37	43012	8	Bolt, Hex 1/4 x 3/4*
10	44946	1	Tube, Height Adj.	38	44603	1	Tube, Upper Handle
11	23866	2	Dust Cover	39	44595	2	Tube, Handle Leg
12	44598	2	Axle	40	44683	1	Rod, Bag 1/4 x 25-1/2"
13	43070	4	Washer, 3/8" Std.*	41	44682	1	Rod, Bag 1/4 x 28-1/2"
14	44684	2	Nut, Jam 3/8-24 Thd.*	42	726-0106	2	Palnut, 1/4"
15	1038	2	Nut, Lock 3/8-24 Thd.*	43	44688	2	Cap, Plastic 3/4"
16	44685	2	Spacer, Shoulder	44	44696	4	Bag, Rod Clip
17	40007	4	Washer Shim, .596 x 1.125 x .025	45	43978	4	Bolt, Curved 1/4-20 x 1" Lg.
18	716-0106	2	"E"-Ring 5/8" I.D.	46	1509-90	4	Bolt, Hex 1/4-20 x 1-1/4" Lg.*
19	44679	2	Bearing, Flange .59 I.D.	47	43088	4	Washer, 1/4 Std.*
20	44844	2	Wheel Ass'y.	49	44694	1	Bag, Hopper
21	741-0249	4	Bearing, Flange .63 I.D.	50	43662	4	Hex Lock Nut #10-32 Thd.
22	44692	4	Bolt, 5/16-18 x 1/2"*	51	44687	2	Cap, Plastic. .207
23	43064	4	Nut, Hex Lock 5/16-18*		44848	1	Owner's Manual
24	2674-32	2	Cap, Hub Black				
25	43885	1	Pinion, L.H. 11 T.				
26	43886	1	Pinion, R.H. 11 T.				
27	1671-1	2	Pawl (H.T.)				
28	44125	4	Washer, Flat .62 I.D. x 1" O.D.				

\*Common hardware may be purchased locally.